

MEDO Brand Air Blower

For aerobic sewage treatment system and aquatics

Model

Compact Type

LA-28B & LA-45B

Medium Type

LA-60B & LA-80B

Large Type

LA-100 & LA-120

Extra Large Type

LAM-200

Benefits include:

- **Low Noise**
- **Low Power Consumption**
- **Easy Maintenance**
- **Unrivaled Lifetime**
- **Weatherproof Case IP55**

Features

- **Low Power Consumption**
Highly efficient blower saves energy.
- **Quiet Technology**
High performance sound proofing gives quiet operation.
- **Easy Maintenance**
Only one screwdriver is needed for filter replacement.
- **Oilless Design Offering Both Dry and Clean Air**
- **Low Running Temperature**
Energy saving design greatly reduces heating effect.
- **Long Service Life with Linear Piston Technology**
The rated specifications enable continuous operation for over 20,000 hours.
- **Light, Compact**
Compact and ready-to-use design.
- **Easy Installation**
No earthing/grounding work is required.

Specifications

| Model | LA-28B | LA-45B | LA-60B | LA-80B | LA-100 | LA-120 | LAM-200 |
|--------------------------|-----------------------------------|------------------------------|------------------------------|------------------------------|------------------------------------|--------------------------------|-----------------------------------|
| Power Supply | 120 V, 220 V, 230 V, 240 V AC | | | | | | |
| Rated Frequency | 50 Hz, 60 Hz | | | | | | |
| Rated Pressure | 0.11 bar (1.56 psig) | | 0.15 bar (2.13 psig) | | 0.18 bar (2.56 psig) | | 0.20 bar (2.84 psig) |
| Operating Pressure Range | 0.05 - 0.2 bar (0.71 - 2.84 psig) | | | | 0.05 - 0.25 bar (0.71 - 3.56 psig) | | 0.05 - 0.3 bar (0.71 - 4.27 psig) |
| Rated Airflow | 28 LPM | 45 LPM | 60 LPM | 80 LPM | 100 LPM | 120 LPM | 200 LPM |
| Power Consumption | 29 W / 50 Hz 25.5 W / 60 Hz | 47 W / 50 Hz 45 W / 60 Hz | 64 W / 50 Hz 60 W / 60 Hz | 86 W / 50 Hz 80 W / 60 Hz | 100 W / 50 Hz 95 W / 60 Hz | 130 W / 50 Hz 118 W / 60 Hz | 215 W / 50 Hz |
| Weight | 2.8 kg | 3.0 kg | 5.0 kg | 5.3 kg | 9.4 kg | 9.4 kg | 12.3 kg |



Model
LA-28B
LA-45B

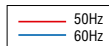
Model
LA-60B
LA-80B

Model
LA-100
LA-120

NEW
Model
LAM-200

MEDO Brand Air Blower

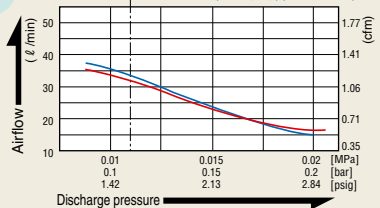
Air Flow Characteristics



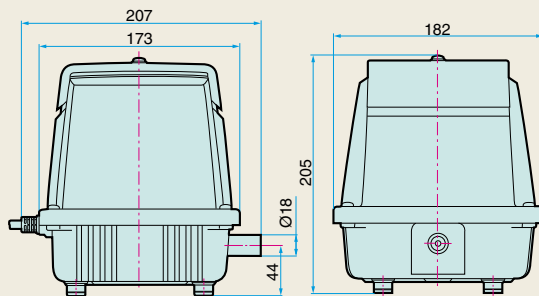
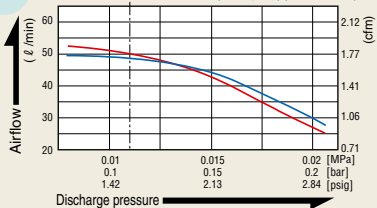
Sketch Drawing and Dimensions Diagram (mm)

Compact Type

LA-28B Rated Pressure : 0.11 bar (1.56 psig)(0.011 MPa)

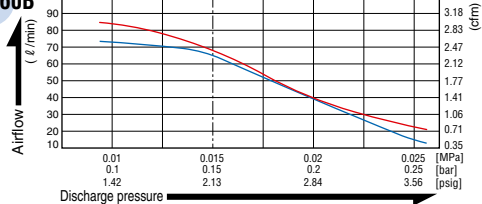


LA-45B Rated Pressure : 0.11 bar (1.56 psig)(0.011 MPa)

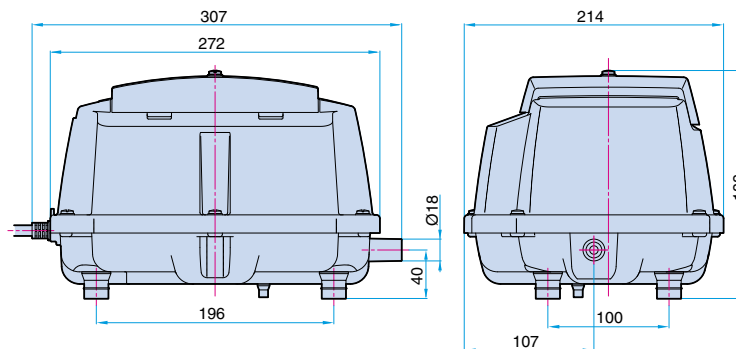
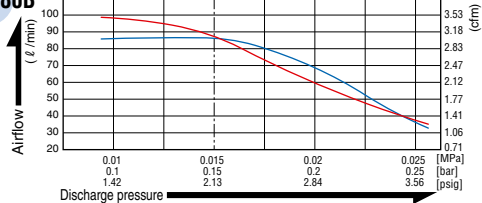


Medium Type

LA-60B Rated Pressure : 0.15 bar (2.13 psig)(0.015 MPa)

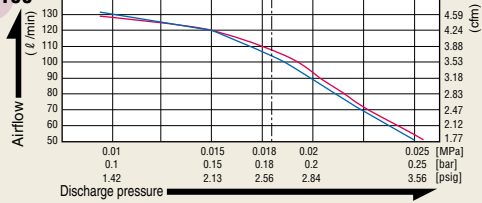


LA-80B Rated Pressure : 0.15 bar (2.13 psig)(0.015 MPa)

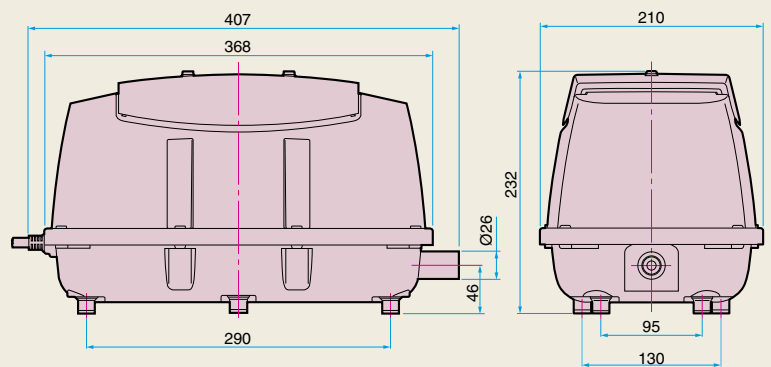
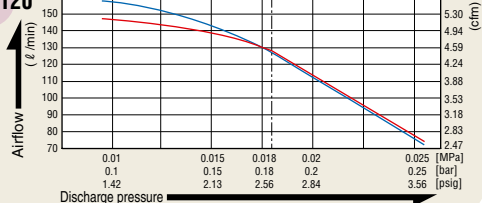


Large Type

LA-100 Rated Pressure : 0.18 bar (2.56 psig)(0.018 MPa)

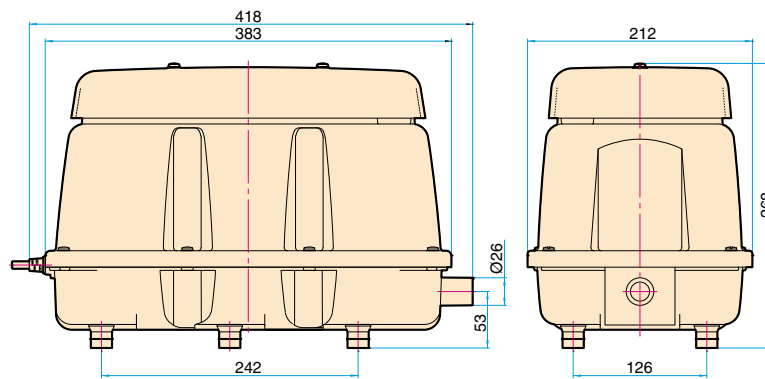
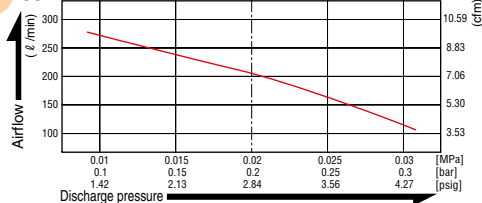


LA-120 Rated Pressure : 0.18 bar (2.56 psig)(0.018 MPa)



Extra Large Type

LAM-200 Rated Pressure : 0.2 bar (2.84 psig)(0.02 MPa)



- ★ If the unit is to be run outside the operating pressure range, consult with your supplier for advice.
- ★ Specifications and designs are subject to change at any time without notice.



Head Office
 9-4, Nakaikegami 2-chome,
 Ohta-ku, Tokyo 146-8555 Japan
 Phone : +81-3-3755-1111 Fax : +81-3-3753-8791

- ▶ E-mail : overseas@nitto-kohki.co.jp
- ▶ URL : www.nitto-kohki.co.jp/e

DISTRIBUTED BY