



# DATA SHEET

12/05/2010

DAB PUMPS S. p. A.  
Via Marco Polo, 14 - 35035 Mestrino (PD) - Italy  
Ph. +39 049 9048811 - Fax +39 049 9048847  
Http://www.dabpumps.com

Receiver

From

Societa  
Reference  
Address  
Telephone  
Fax  
E-mail

Item no. 1030225

**Pump data :**

Model :  
NOVA 6  
Pressure rating :  
Min. fluid temperature : 273 K  
Max. fluid temperature : 308 K  
Max. Temperature operating : 313 K

**Requested data :**

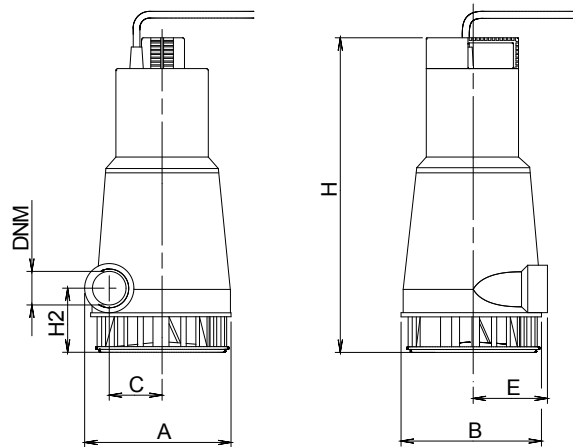
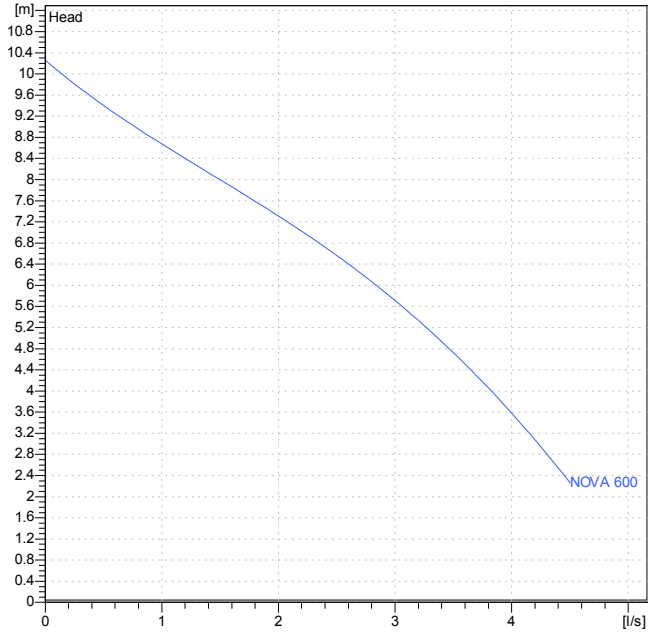
Flow : 0 l/s  
Head : 0 m  
Fluid : Water, p  
Fluid Temperature : 293 K  
Density : 998.3 kg/m<sup>3</sup>  
Kinematic viscosity 1.005 mm<sup>2</sup>/s  
Vapor pressure : 100 kPa

**Available data :**

Flow :  
Head :

**Materials :**

Pump body Technopolymer  
Impeller Technopolymer  
OR ring Rubber NBR  
Motor top body AISI 304 X5 Cr Ni 1810 UNI 6900/71  
Rotor shaft AISI 416 X12 CrS 13 UNI 6900/71  
Seeger ring 12E - UNI 7435 STAINLESS  
Wearing disc (Only for NOVA) Technopolymer



**Motor data :**

Weight : 6.7 kg

Trade mark : DAB  
Nominal power P2 : 0.55 kW  
Rated speed: 2850 1/min  
Rated voltage : 1~ 230 V 50 Hz  
Nominal current : 3.4 A  
Degree of protection : IP 68

**Dimension**

mm

A	162	H1	443		
B	167	H2	73		
C	56	LIV MAX	390		
D	296	LIV MIN	190		
DNM	1"1/4 G				
E	90				
H	368				

**Pump connection :**

Suction side : /  
Discharge side : 1 " 1/4 G' --



# PERFORMANCE CURVES

12/05/2010

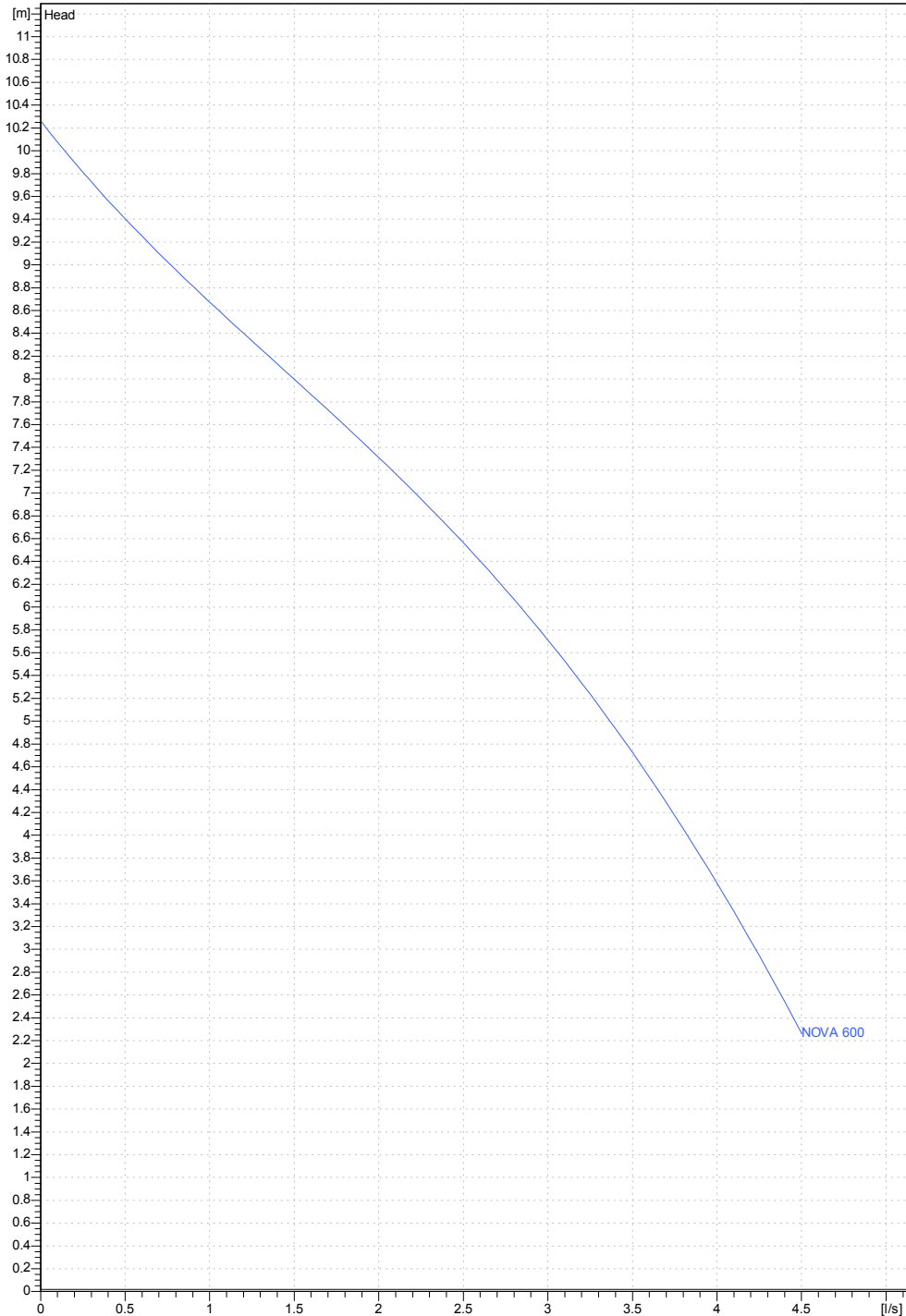
DAB PUMPS S. p. A.  
Via Marco Polo, 14 - 35035 Mestrino (PD) - Italy  
Ph. +39 049 9048811 - Fax +39 049 9048847  
Http://www.dabpumps.com

Receiver

From

Societa  
Reference  
Address  
Telephone  
Fax  
E-mail

## NOVA 600 M-NA



Available data :

Suction side : /	Discharge side : 1 " 1/4" G-	Flow : 0 l/s	Head : 0 m	Speed 2850 1/min
Project	Project ID	Created by	Created on 12.05.2010	

